



## ZT/E

### Immersion sleeve

Measuring size: -

Output: -

Highlights: brass sleeve Pmax. 16 bar, stainless steel sleeve Pmax. 40 bar



### Description

Under the type ZT/E you can find immersion sleeves and installation flanges as accessories for the temperature sensors. The immersion sleeves are produced as brass and stainless steel. The brass types are suitable for the use in not aggressive media, with a pressure load up to 16 bar and +150°C of medium temperature. The stainless steel immersion sleeve have an expanded pressure area up to 40 bar and can be used for a temperature area up to +600°C.

### Technical Specifications

Material	Immersion sleeve: stainless steel VA 1.4404 or brass nickel plated
Pressure resistance	Immersion sleeve stainless steel: Pmax. 40 bar with G1/2 inch; Immersion sleeve brass: Pmax. 16 bar with R1/2 inch
Dimensions	Immersion sleeve brass: outside Ø 8 mm / inside Ø 6,5 mm, thread R1/2 inch; Immersion sleeve stainless steel: outside Ø 9 mm / inside Ø 6,2 mm, thread G1/2 inch
Working temperature	Immersion sleeve stainless steel: Tmax. +600°C, Immersion sleeve brass: Tmax. +150°C
Installation	screw-in thread



## Variants

<b>Article Number</b>			
Compressive strength	Material	Installation length	Working temperature
<b>ZT/E-ES0.5</b>			
40 bar	stainless steel	50 mm	Tmax. +600°C
<b>ZT/E-ES1</b>			
40 bar	stainless steel	100 mm	Tmax. +600°C
<b>ZT/E-ES1.5</b>			
40 bar	stainless steel	150 mm	Tmax. +600°C
<b>ZT/E-ES2</b>			
40 bar	stainless steel	200 mm	Tmax. +600°C
<b>ZT/E-ES2.5</b>			
40 bar	stainless steel	250 mm	Tmax. +600°C
<b>ZT/E-ES3</b>			
40 bar	stainless steel	300 mm	Tmax. +600°C
<b>ZT/E-ES3.5</b>			
40 bar	stainless steel	350 mm	Tmax. +600°C
<b>ZT/E-ES4</b>			
40 bar	stainless steel	400 mm	Tmax. +600°C
<b>ZT/E-MS0.5</b>			
16 bar	brass	50 mm	Tmax. +150°C
<b>ZT/E-MS1</b>			
16 bar	brass	100 mm	Tmax. +150°C
<b>ZT/E-MS1.5</b>			
16 bar	brass	150 mm	Tmax. +150°C
<b>ZT/E-MS2</b>			
16 bar	brass	200 mm	Tmax. +150°C
<b>ZT/E-MS2.5</b>			
16 bar	brass	250 mm	Tmax. +150°C
<b>ZT/E-MS3</b>			
16 bar	brass	300 mm	Tmax. +150°C
<b>ZT/E-MS3.5</b>			
16 bar	brass	350 mm	Tmax. +150°C
<b>ZT/E-MS4</b>			
16 bar	brass	400 mm	Tmax. +150°C



## Accessories

---



TF4/E

Immersion Temperature Sensor with Housing and Flexible Silicone Cable

---



TF1/E

Immersion Temperature Sensor with Housing

---



TF8/E

Immersion Temperature Sensor with M12 Plug Connector

---



TF5/E

Immersion Temperature Sensor with Silicone Cable

---



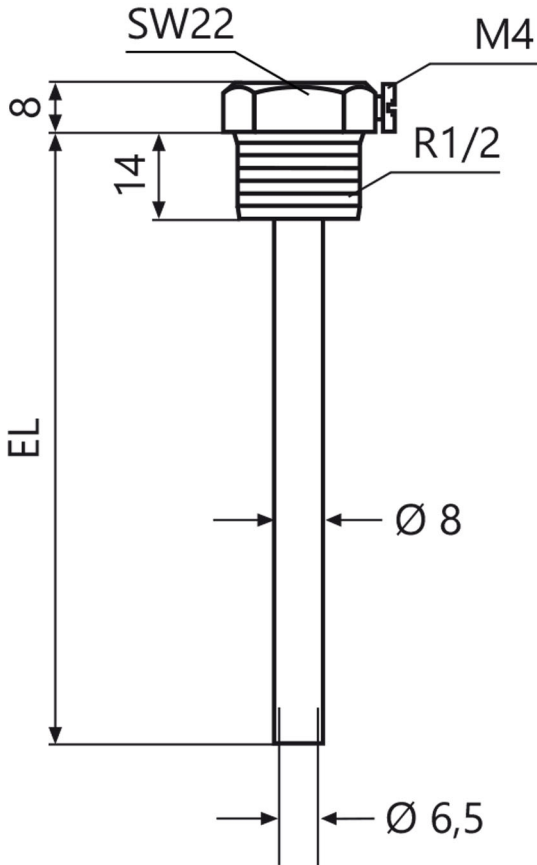
TF7/E

Immersion Temperature Sensor with Plug Connector DIN EN 175301



Dimensional Drawing

**ZT/E-MS**



**ZT/E-ES**

